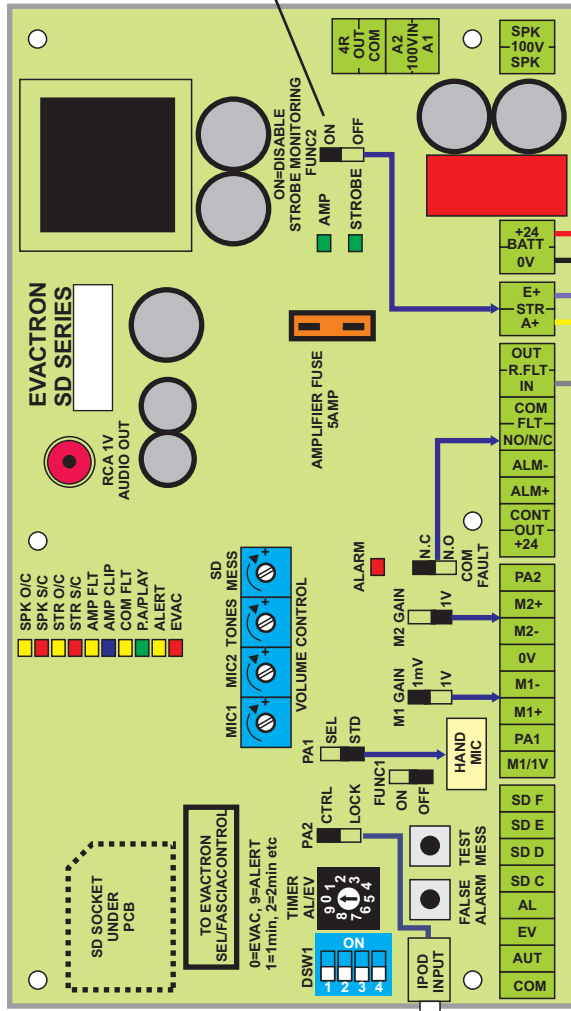


EVACTRON SD1-SRB1P MULTI CIRCUIT-2

**NOTE-FUNC2
MUST BE ON
TO DISABLE SRB
MONITORING**



A FAULT CONDITION ON ANY SRB1 WILL ACTIVATE A COMMON FAULT ON SD1 BOARD

