

# SM24STD 24VAC/DC



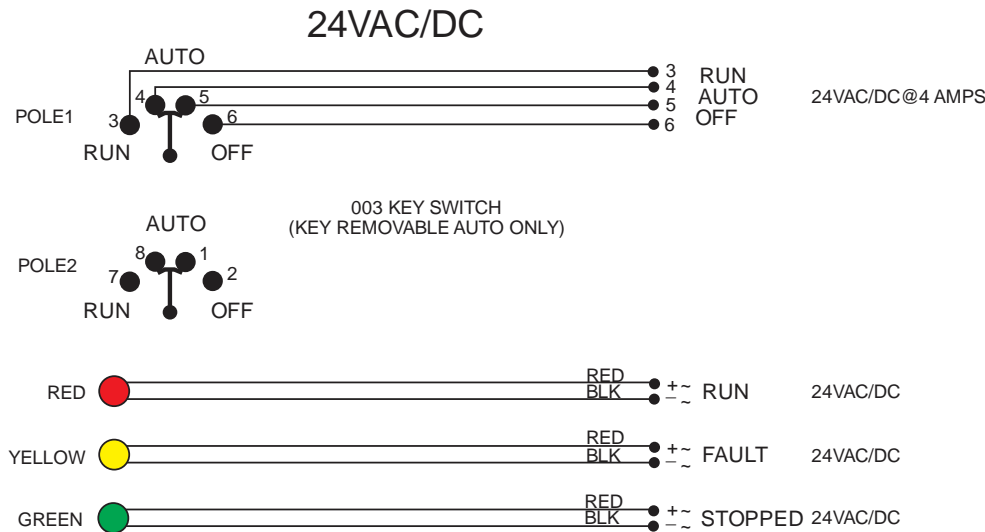
## CARPARK EXHAUST FAN CONTROL

### SPECIFICATIONS

Key switch	003- 3 position run-auto-off
Voltage rating	22-30VAC/DC
Current rating	4 Amp- key switch contacts
LED run	24 VAC/DC red
LED fault	24 VAC/DC yellow
LED stopped	24 VAC/DC green
Dimensions	70 H x 114 W x 40 mm D
	HPM standard horizontal plate



Can be ordered in 240vac on request code # SM240STD



NOTE INDICATOR COLORS AS 1668 REQUIREMENTS